

IPT640M

Mini Online Thermal
Camera Core

High Resolution · High Performance



5.9mm



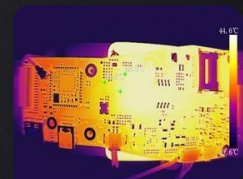
15mm

Introduce

Equipped with an uncooled VOx detector, the high-performance IPT640M is extremely sensitive with a wider temperature measurement range. Utilizing the small and lightweight benefits, several protocols, multiple web access, easy-to-use SDK furthers the integration into high-level systems.

Features and Benefits

- Small and compact with "temperature measurement + IP network"
- Autofocus in 1s with 2 optional lenses and the success rate of 98%
- Multiple temperature alarms (overtemperature, temperature difference, etc.)
- 21 objects (spots, lines, rectangles, polygons and circles)
- Onvif, RTSP, HTTP, SMTP, MQTT, FTP and GB28181
- SDK and API for integration into high-level systems



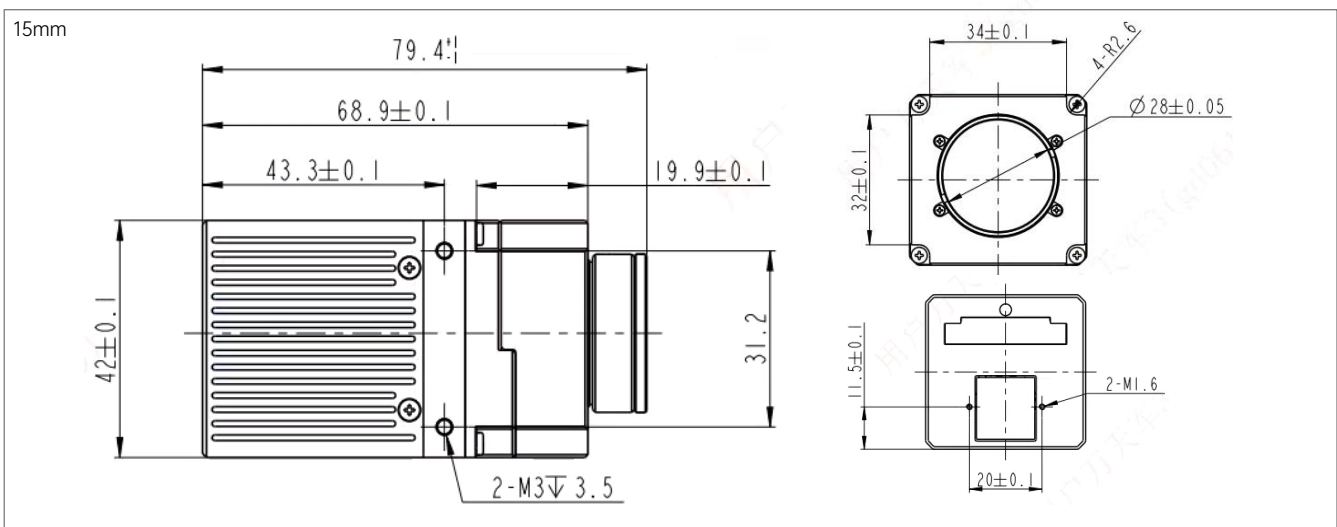
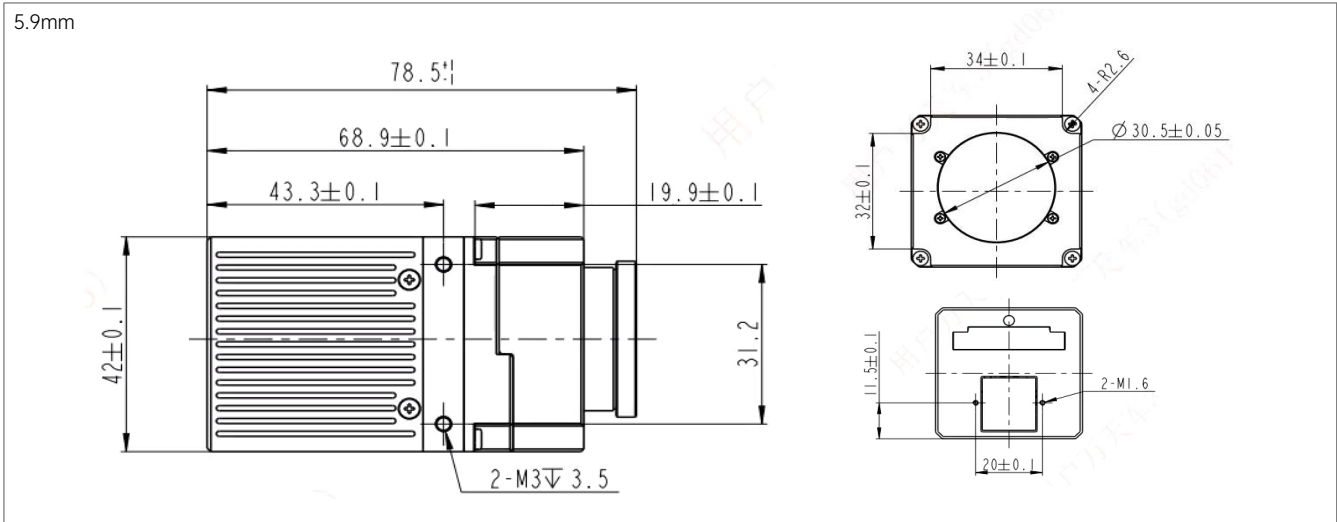
Application

- IPT640M can be integrated into electric inspection robots or security monitoring systems for temperature monitoring within short or middle distances.

Specifications

| Model | IPT640M |
|---|---|
| Thermographic | |
| Detector type | VOx |
| Detector resolution | 640 × 512 |
| Pixel size | 12μm |
| Wavelength range | 8μm to 14μm |
| NETD | ≤55mK@30°C |
| Thermographic camera lenses | 5.9mm, 81°x63°; 15mm, 29°x23° |
| Detail enhancement | Supported |
| Noise reduction | 2D/3D noise reduction |
| Pseudo colors | 26 (White hot, Black hot, etc.) |
| Temperature measurement | |
| Measurement range | Low: -20°C to 150°C, High: 100°C to 350°C; Low: -20°C to 150°C, High: 100°C to 550°C (select one from the two groups) |
| Measurement accuracy | ±2 °C or ±2%, whichever is greater |
| Target setting | Up to 21 targets (6 spots, 6 lines, 3 circles or ovals and 3 polygons) |
| Cold/hot spot tracking | Supported |
| Full-screen point temperature measuring | Supported |
| Query and export of temperature measuring information | Supported |
| Image | |
| Video compression standard | H.264 |
| Image coding formats | JPEG |
| Code stream | 640 × 512@25Hz |
| Protocol and storage | |
| Network protocol | TCP, UDP, ICMP, IGMP, DHCP, RTSP, ONVIF, GB/T 28181 |
| SDK/ API | Open SDK/ API for software integration |
| Local storage | 16G EMMC |
| System function | |
| Language version | Chinese/English |
| Browser | Supported |
| User management | Max. 20 users with multi-level user permission management |
| Fault detection | Network disconnection, IP conflict, Illegal access, storage exception |
| Hardware interface | |
| Power interface | DC12V |
| Network interface | One RJ45 (10M/100M) |
| Alarm interface | 1 output |
| Other interfaces | 1-channel RS485 |
| Environmental | |
| Working temperature | -20°C to +60°C |
| Working humidity | ≤95%, non-condensing |
| Certification | CNAS/ EMC/ RoHS |
| Physical | |
| Power consumption | ≤2.5W |
| Size (L × W × H) | 5.9mm: 78.5mm × 44mm × 42mm; 15mm: 79.4mm × 44mm × 42mm |
| Net weight | ≤215g (with lens) |

Structure and size



Hardware Interfaces

